

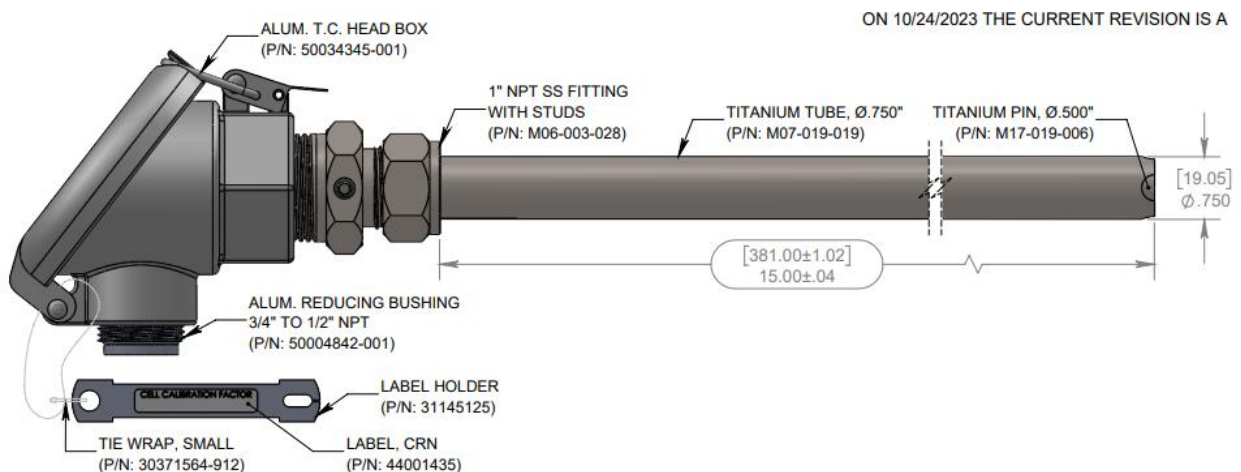
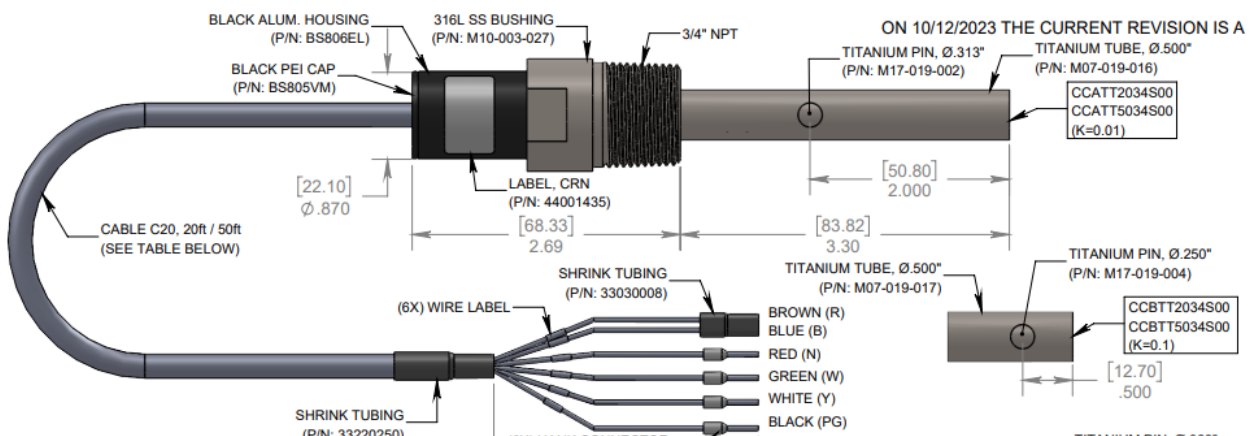
HONEYWELL

CCD Contacting Conductivity Sensors

Technical Specifications

Overview

The CCD contacting conductivity sensors offer a rugged construction for reliable, continuous measurement of electrolytic conductivity in industrial water applications. The CCD can be used for insertion applications with 3/4" MNPT threads or installed directly into a process stream with an optional 3/4" pipe tee. The cells are designed to keep the electrodes and temperature compensator immersed in the stream to assure quick and accurate response to changes in the solution concentration or temperature. The CCD ATC (Automatic Temperature Compensator) is compatible with both analog and microprocessor-based instruments.



Key Features

- Contacting conductivity sensors with various cell constants to cover a wide variety of applications.
- ATC (Automatic Temperature Compensator) standard.
- Extended temperature and pressure range – up to 140°C (284°F) and 250 psi ratings.
- Grounded sensor allows use with 50 ft cable without pre-Amp.
- Design allows for either inline or immersion mounting.

Specifications

ELECTRODE	
Pressure and Temperature Rating	Maximum 250 psi (1000 kPa) and 284°F (140°C)
Operating Range	Depends on cell constant, from 0.01 to 10,000 µS/cm
Mounting	¾" MNPT suitable for either inline or immersion mounting.
Materials	Conductivity: Titanium ATC: 8550 thermistor or 1000 Ohm RTD
Dimensions	150 mm long x 21.6 mm dia. (5.9" x 0.85")
Weight	Approximately 0.23 kg (0.5 lb)

For more information

To learn more about Honeywell's products, visit www.process.honeywell.com or contact your Honeywell account manager.

Honeywell Process Solutions

Honeywell Automation India Ltd.
56,57, Hadapsar Industrial Estate
Pune - 411013, India
www.process.honeywell.com